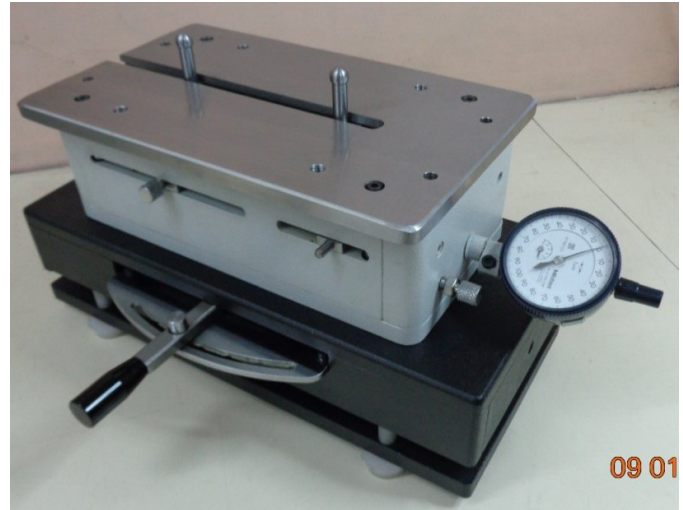


Universal Bench Comparator



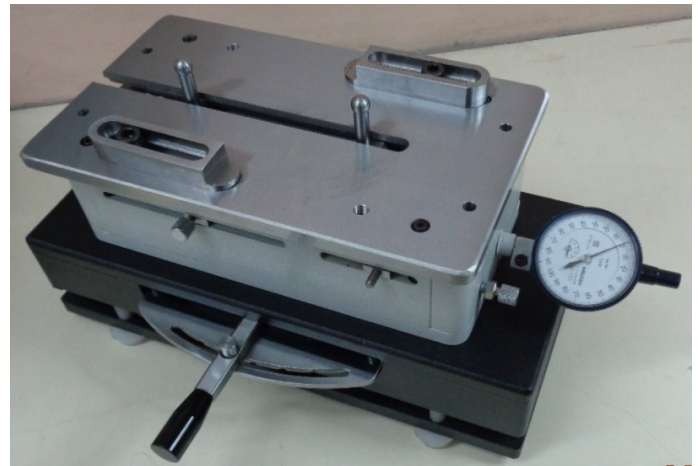
Universal Bench Comparator (UBC) :

The Universal Bench Comparator is a workshop quality system for undertaking internal and external inspection on a range of work pieces. The unit is user friendly to set quickly and accurately for particular application. The standard unit is available with various optional measuring anvils to cover a large variety of inspection tasks.



Features:

- Robust Aluminum construction.
- Adjustable Measuring Pressure.
- Highly Sensitive Linear motion Mechanism.
- Adjustable and moving Anvil station.
- Dial / Probe mounting holder of hole dia 8 mm.
- Different measuring levels (heights) upto 25 mm for dia check.
- Inside and outside- Fast and precise measurements.
- Hardened measuring top table surface made of stainless steel.
- Special Tooling design facility against demand.



Specification:

Inside Range(mm)	Outside Range (mm)	Repeatability (mm)	Dimensions (mm)	Weight (Kg)	Top Table Size(mm)
20-150	10-150	± 0.001	330 X 240 X 180	14 (approx.)	250X150

Optional Accessory :

Dial Indicator L.C.0.01 mm.

Machine Contents:

Universal Bench Comparator - Basic Unit without dial indicator.

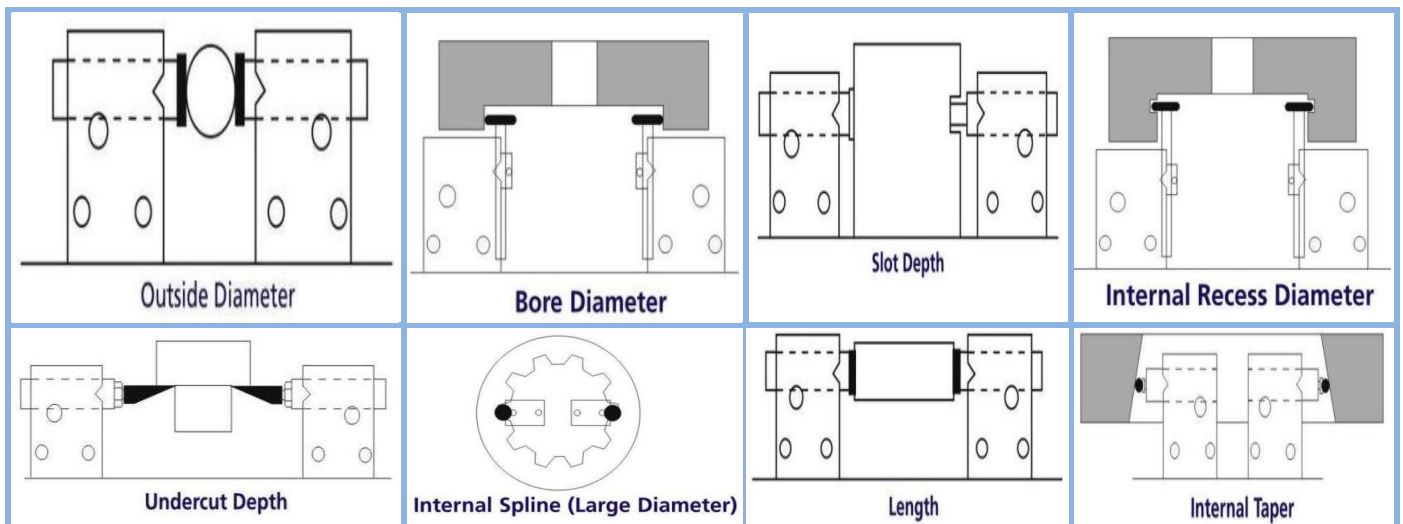
Dial indicator extension piece 20mm – 1 no.

Work piece supports - 1 Pair.

Ball (Dia. 10 mm) Point Anvil for ID / OD check – 1 Pair.

Application:

1. Inside and outside measurements.
2. Internal Recesses diameter.
3. Undercut depth.
4. Internal Spline.
5. Taper Internal Diameter.
6. Slot Depth.
7. Length.
8. Special Tooling on demand.



**Kudale Instruments
(P) Ltd.**



Mikrotech



**Kudale Calibration
Laboratory (P) Ltd.**

CENTRAL OFFICE

Precision House, 98A/17, Hadapsar Industrial Estate, Pune - 411 013 (India)

Tel : +91 (20) 2687 0567 / 2687 2068 Fax : +91 (20) 2687 5383

e-mail : msands@eth.net, sales@kudaleinstruments.com, kudale@vsnl.net

web-site : www.kudaleinstruments.com